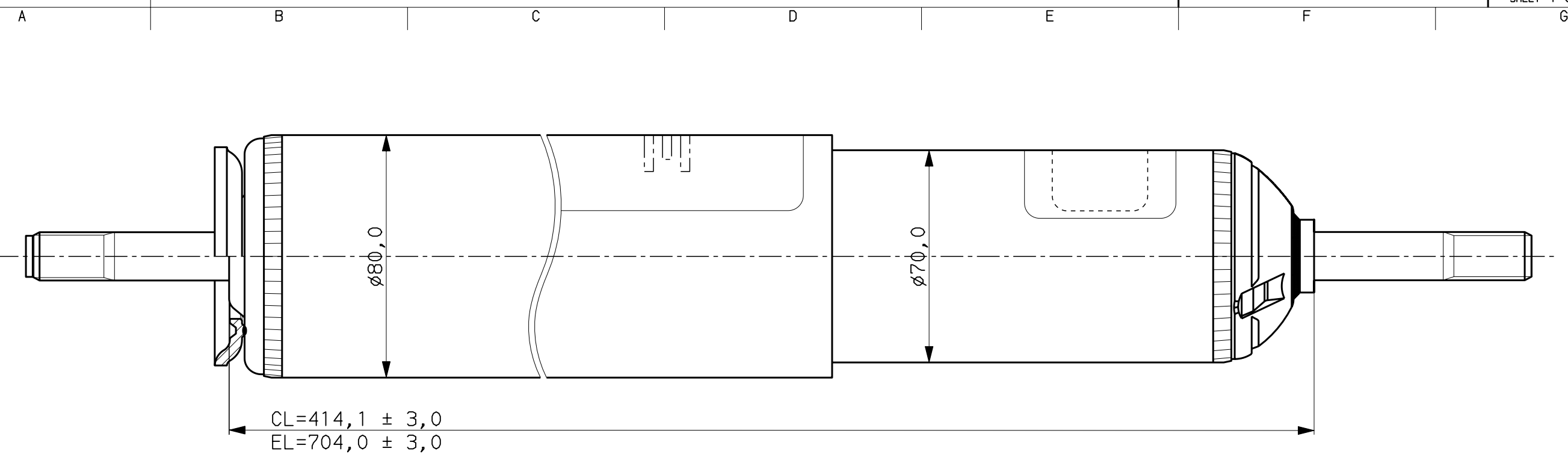


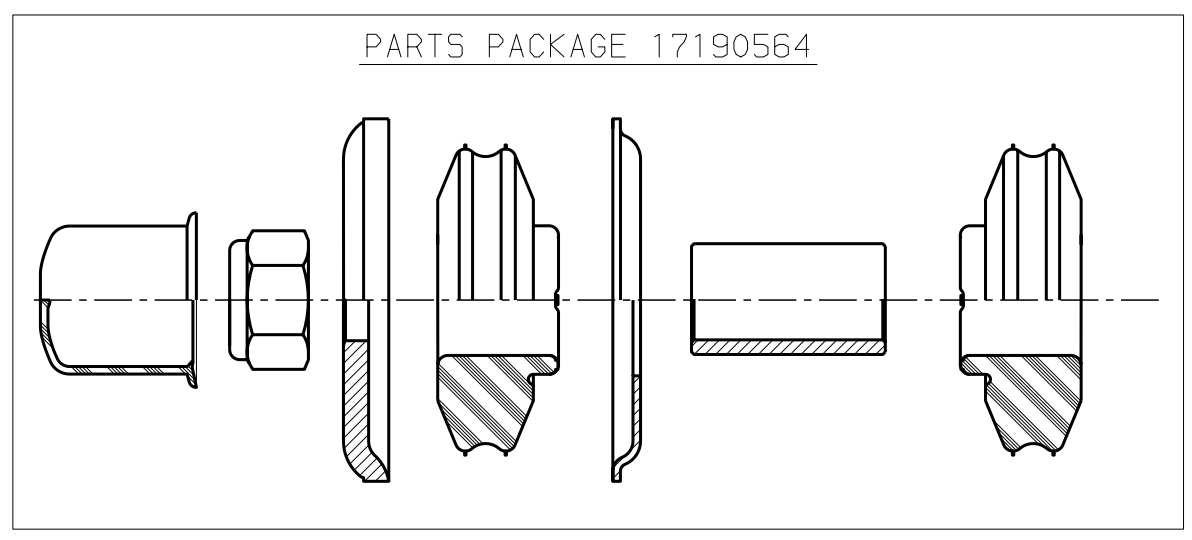
OWNER:
B



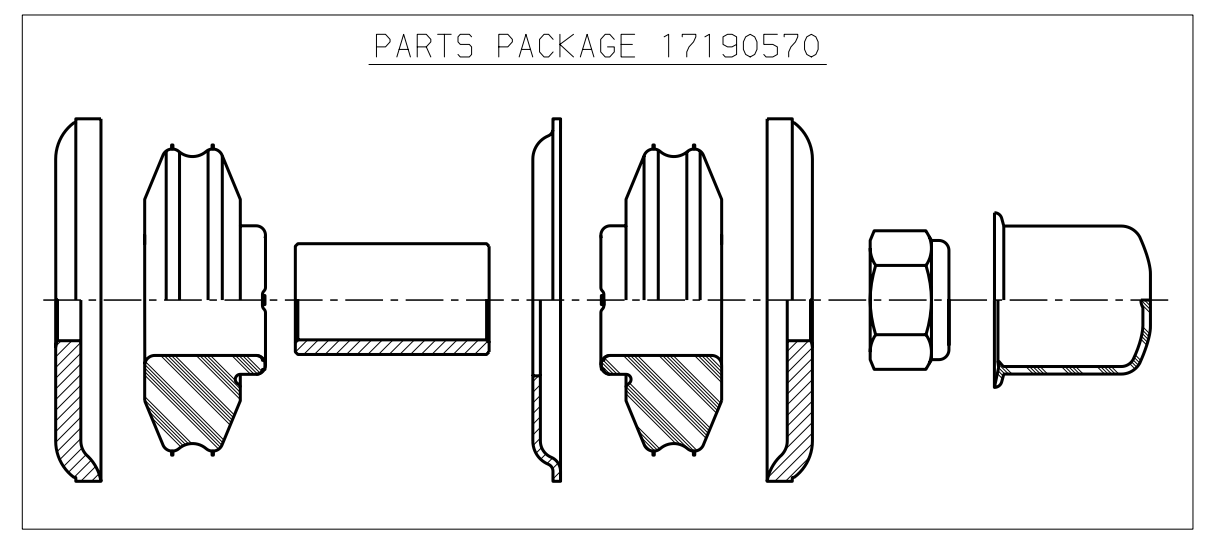
OK.WL.80.67
SHEET 1 OF 1



PARTS PACKAGE 17190564



PARTS PACKAGE 17190570



EUROPEAN / FIRST ANGLE PROJECTION!

VERS.	ZONE	CHANGE	CHANGE NO	DATE	DR.
0003	---	DEDICATED TO RE-PACKED	S1981	12JAN05	ML
0002	---	WABCO NUMBER ADDED	S0937_3	28MAR03	JN
0001	---	RELEASED FOR PRODUCTION	15289_2	14JAN03	ZK

TOLERANCE ON DIMENSIONS NOT OTHERWISE SPECIFIED DIMENSIONS ± ----- / ANGLES ± -----			
REL. For COST: -----	SUPERSEDES: -----	REF. NO/NO. REQ. -----	SCALE: 1/1,5
DR: ZK ---	MATERIAL: ----- DIM.: -----	DATE: 14JAN03	
NAME and NO of the PRODUCT/PROJECT: WABCO : 438 600 032 0			FORMAT: A3
NAME: SHOCK ABSORBER			
ASS. NAME: .			
MONROE EUROPE			OK.WL.80.67
SINT-TRUIDEN - BELGIUM			SHEET 1 OF 1

WABCO 438 600 032 0 Doc.Code 605 Rev. A Sheet 1/1

The acceptance of this drawing is construed as an agreement to these conditions.
 ALL rights are strictly reserved and it is loaned on the condition that it is not used, reproduced, copied or issued to third parties in any form whatsoever without written permission from Monroe Europe N.V..
 This drawing is the property of Monroe Europe N.V., of Monroe Europe (U.K.) LTD. and of Tenneco Espana S.A..