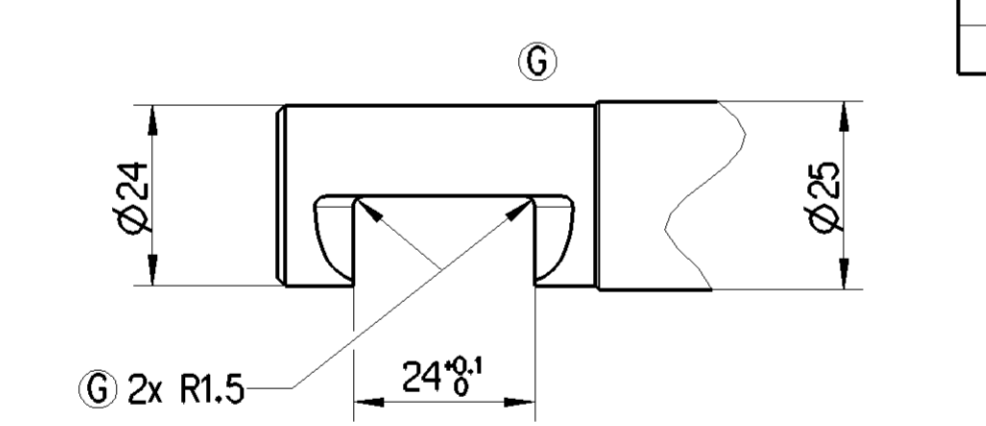
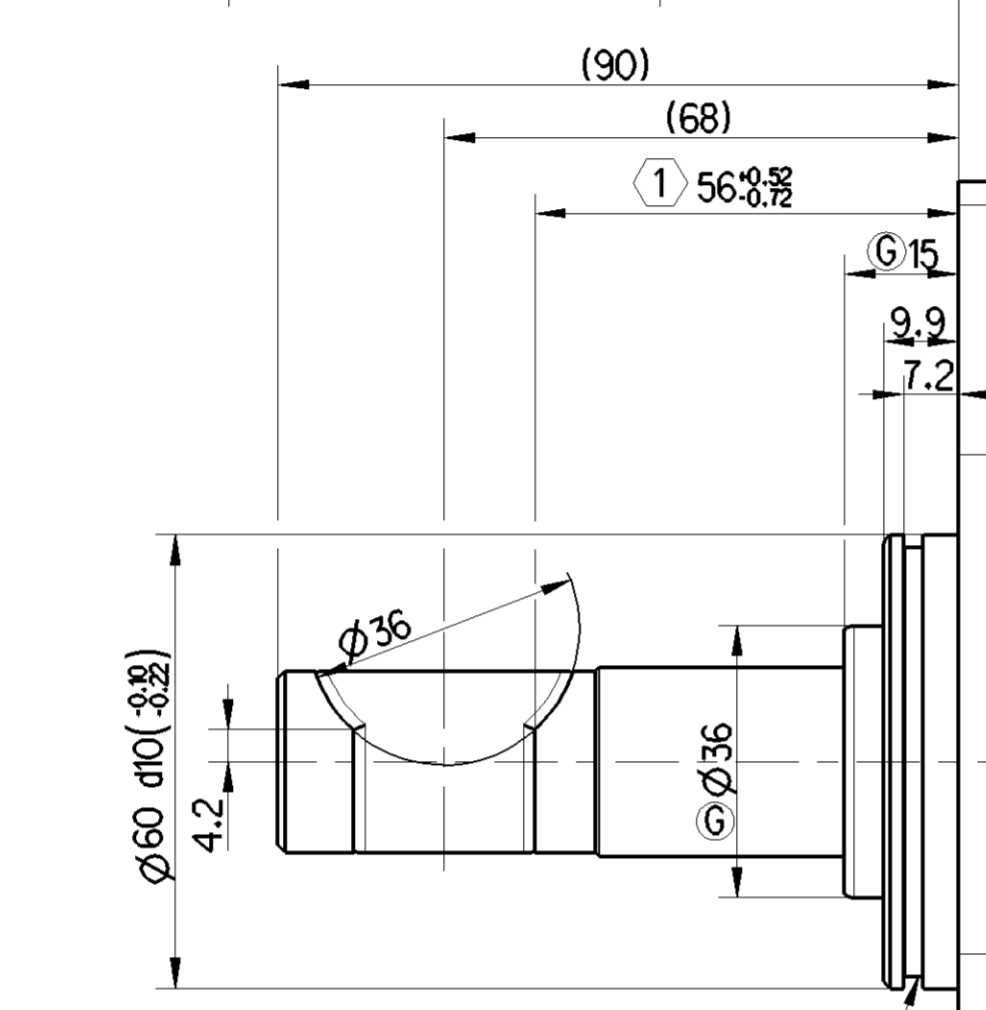
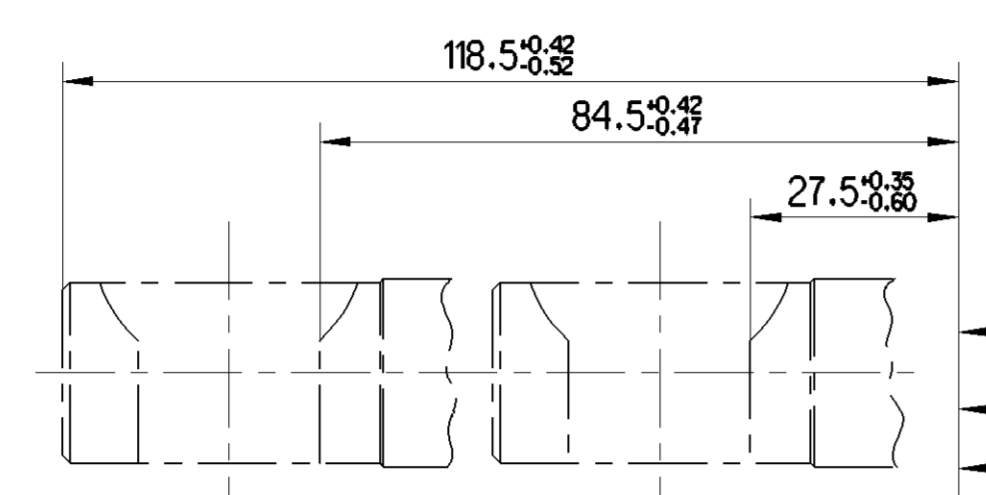
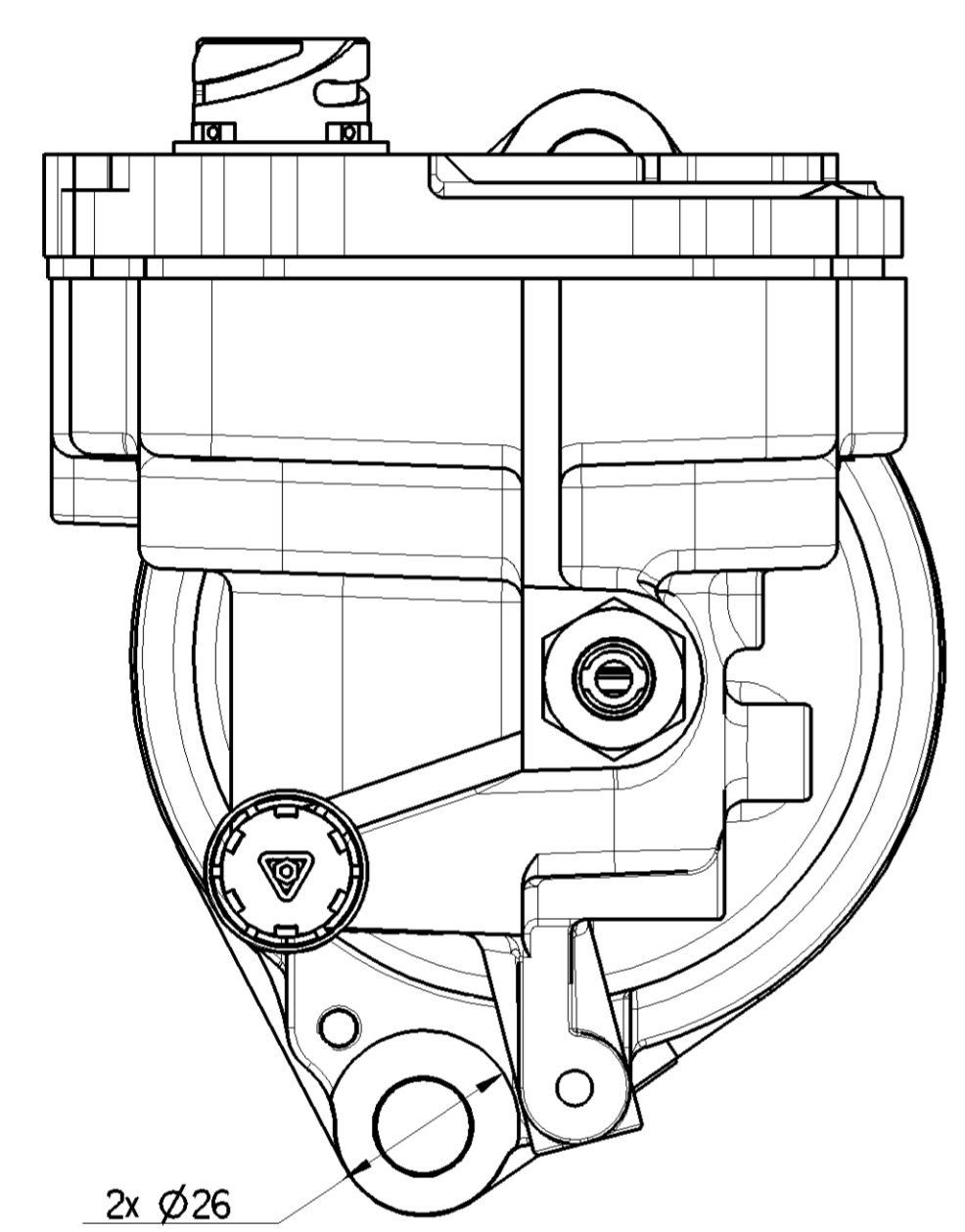
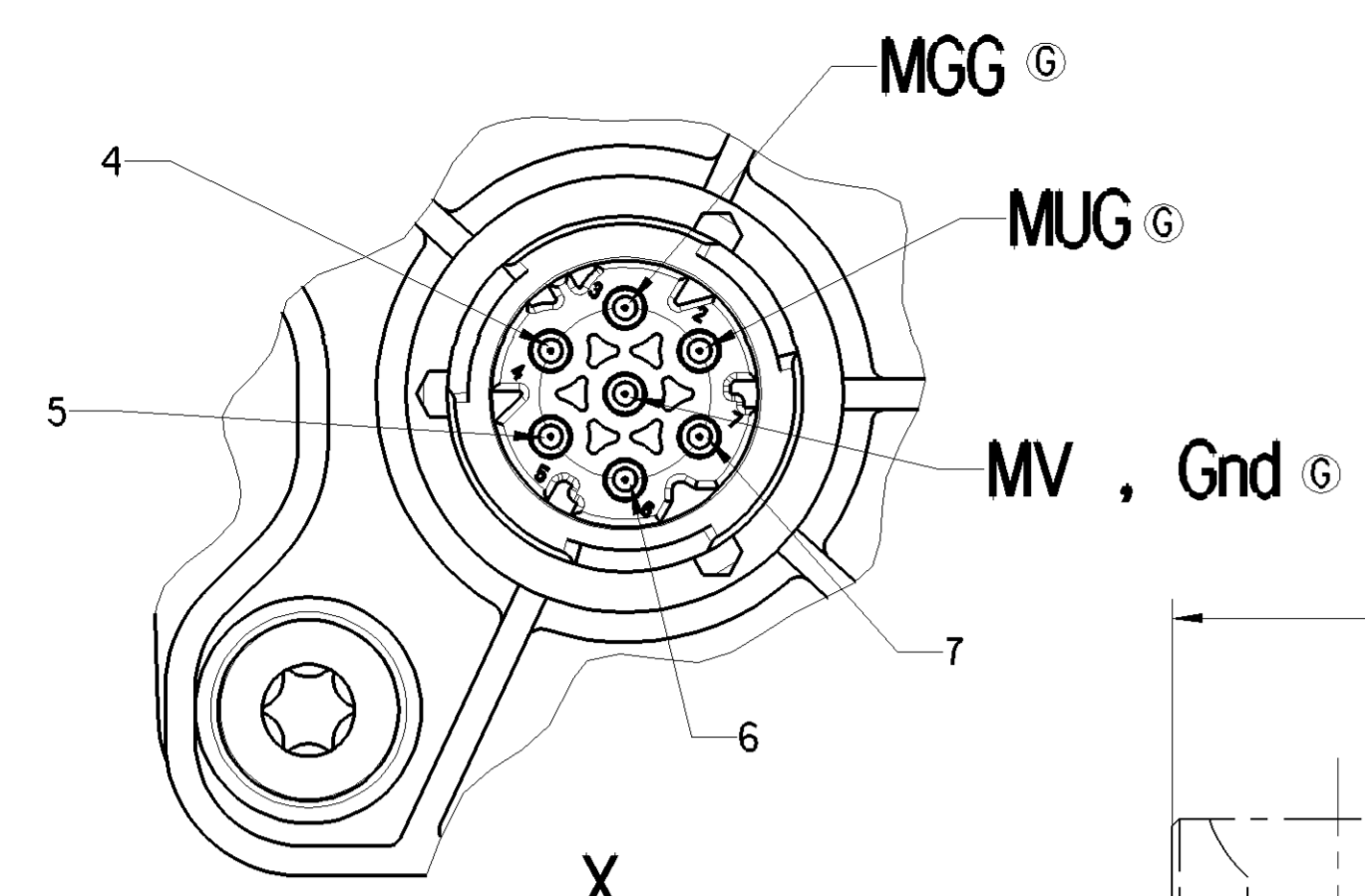
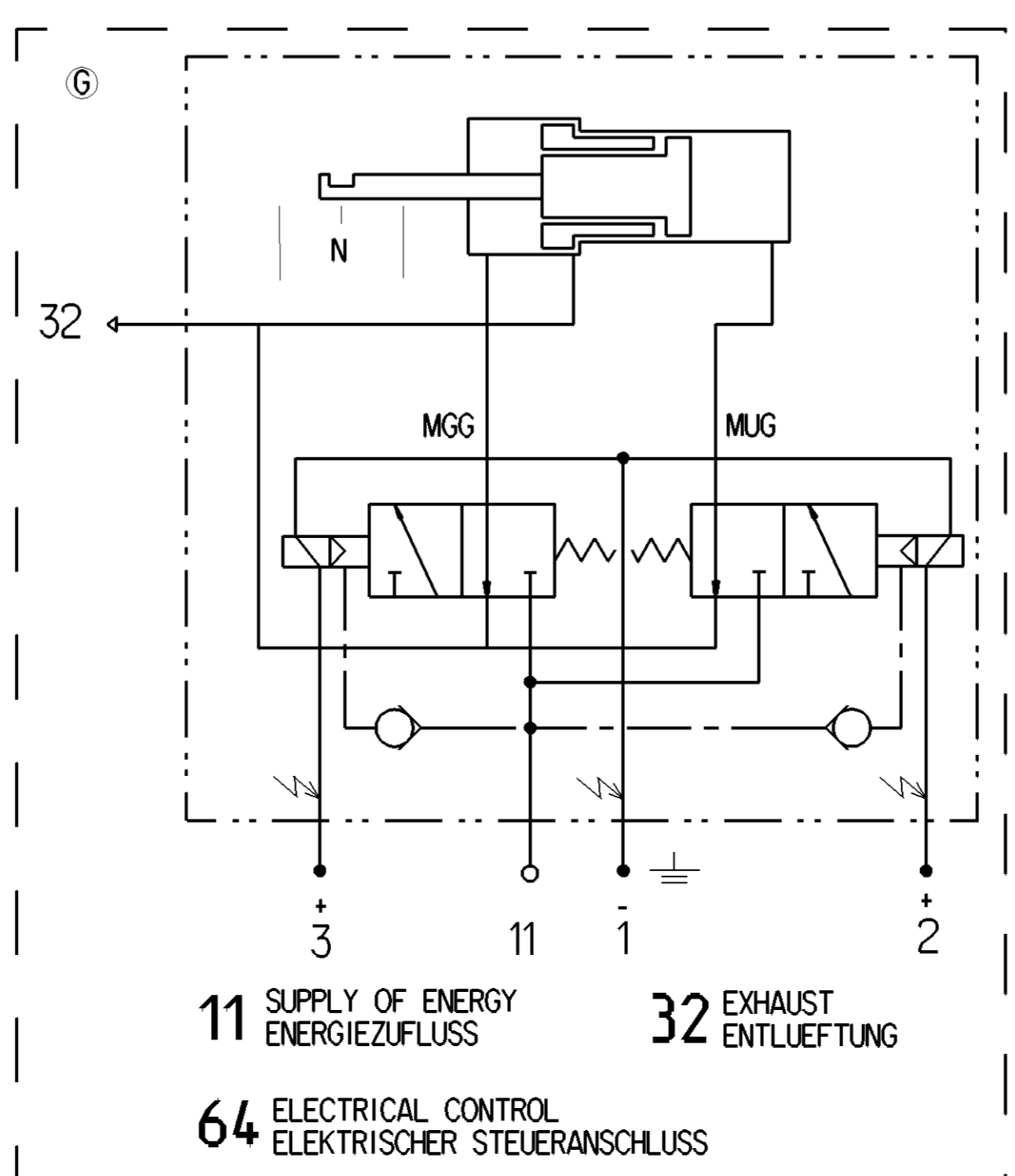
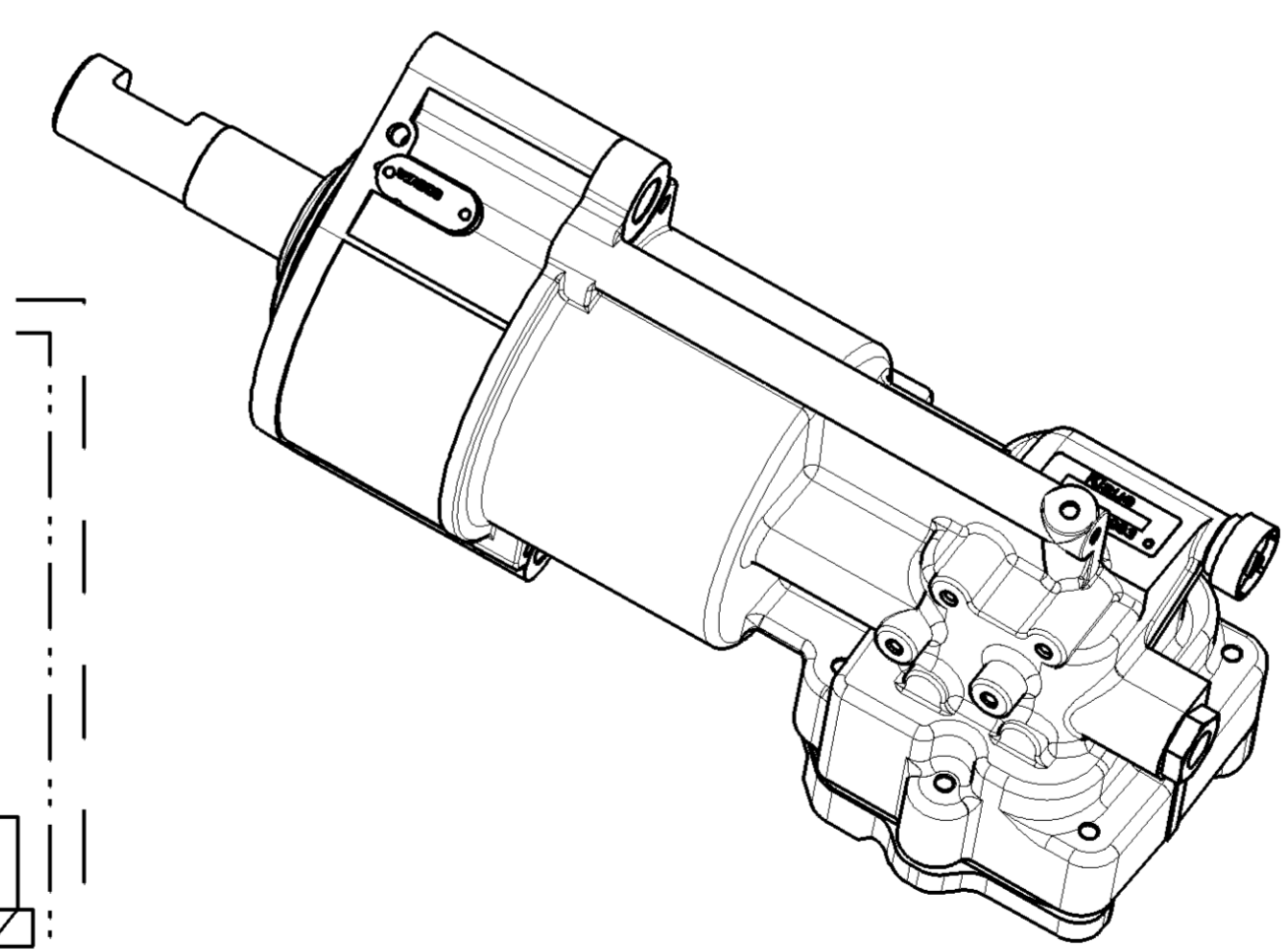
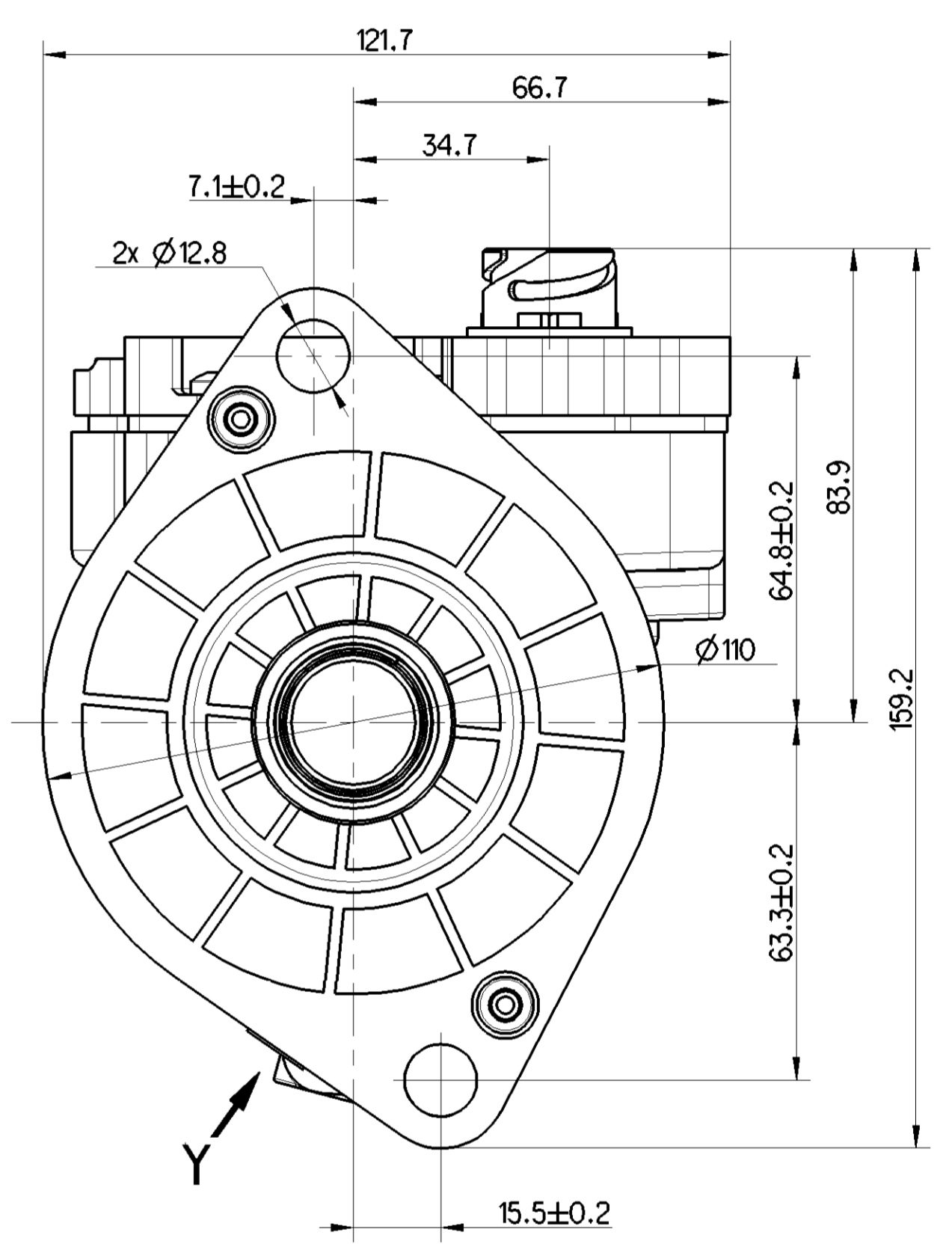
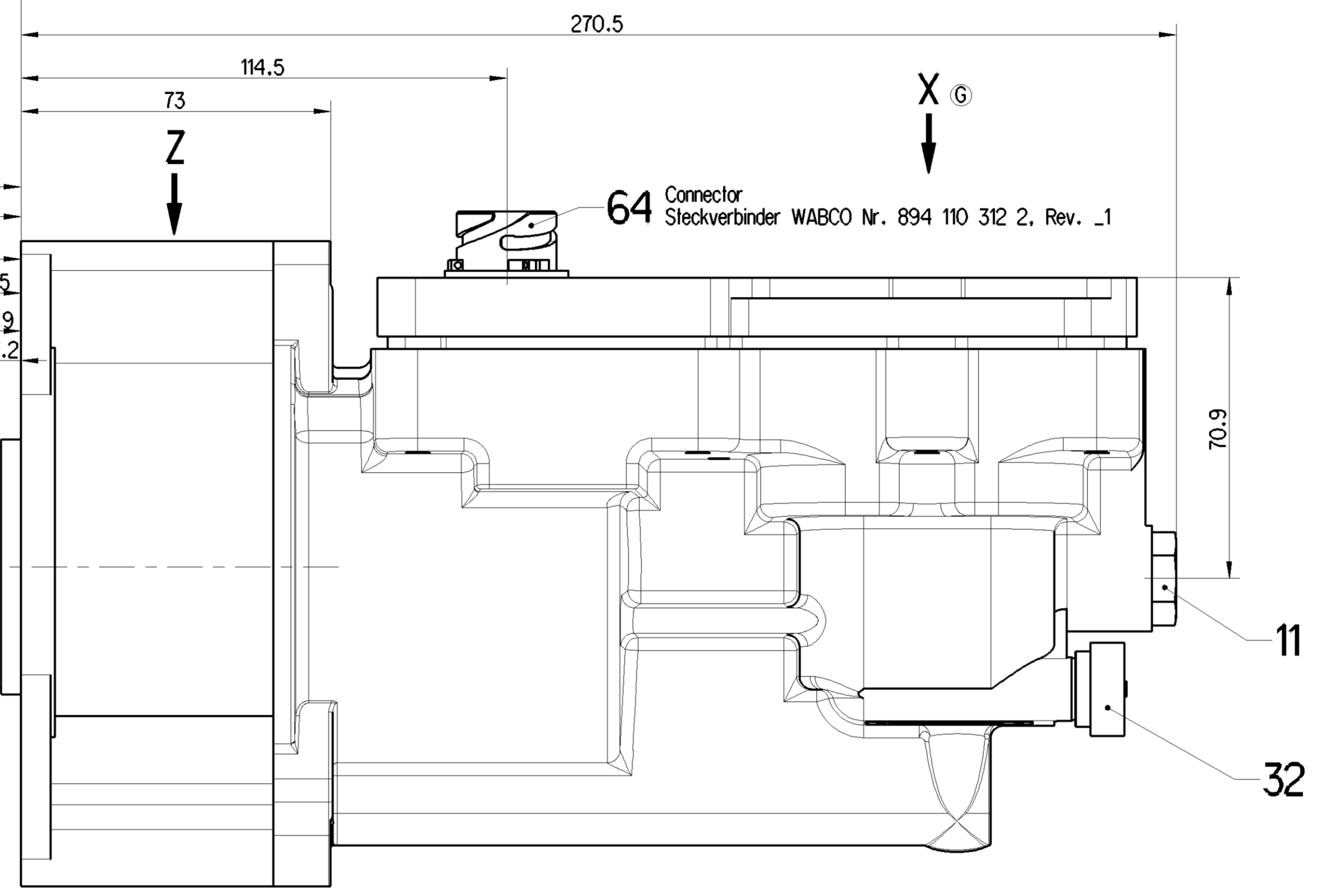
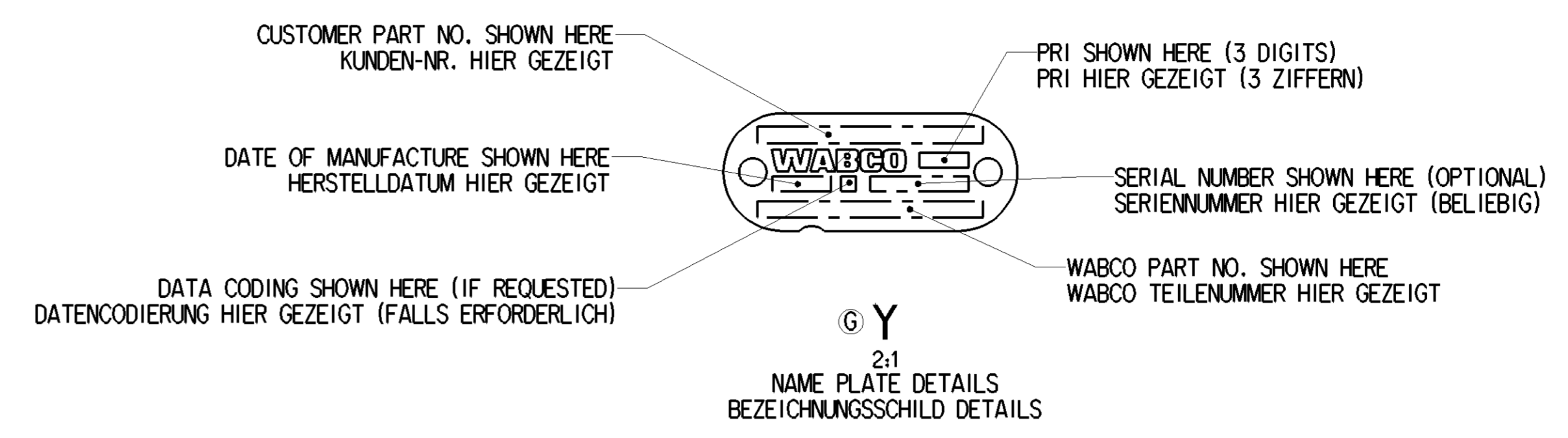
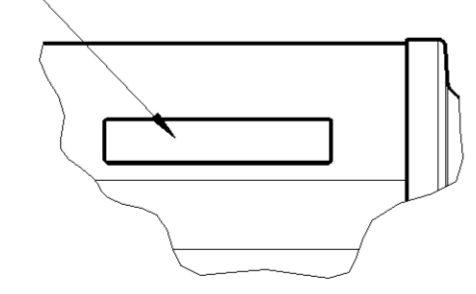


SAFETY CHARACTERISTICS	0
SIGNIFICANT CHARACTERISTICS	0
CUSTOMER INTERFACE	0



ADHESIVE LABEL WITH DMC
ACCORDING MBN 10495
KLEBESCHILD MIT DMC
NACH MBN 10495



① CENTRAL POSITION (AERATED)
MITTELSTELLUNG (BELUEFTET)

② GROOVE FOR O-RING
NUT FÜR O-RING 55 X 2

TEST IN ACCORDANCE WITH TEST INSTRUCTION 421 350 084 0 DOC CODE 023
PRÜFUNG NACH PRÜFANWEISUNG 421 350 084 0 DOC CODE 023

INSTALLATION POSITION EINBAULAGE	OPTIONAL BELIEBIG
WORKING MEDIUM ARBEITSMEDIUM	AIR LUFT
THERMAL RANGE OF APPLICATION THERMISCHER ANWENDUNGSBEREICH	-25 ... +120 °C
RELATIVE DUTY CYCLE RELATIVE EINSCHALTDAUER	25%
NOMINAL CURRENT AT ROOM TEMPERATURE NENNSTROM BEI RAUMTEMPERATUR	0.4 A / MAGNET
VOLTAGE SPANNUNG	24 ⁺⁶ V DC
TYPE OF CURRENT STROMART	DIRECT CURRENT GLEICHSTROM
DEGREE OF PROTECTION SCHUTZART	IP 69K
PROTECTION CLASS SCHUTZKLASSE	III
WORKING PRESSURE (SUPPLY) BETRIEBSDRUCK (VORRAT)	P ₀ = 4.5 ... 10 bar
MIN. FLOW PASSAGE MIN. DURCHFLUSSOEFFNUNG	NOMINAL DIAMETER NENNWEITE
PORT 11 ANSCHLUSS 11	VOSS NG 8 18.1 mm ² (≈Ø4.8 mm)
3/2 SOLENOID MGG/MUB 3/2 VENTILMAGNET MGG/MUB	SUPPLY: BELUEFTUNG: 18.1 mm ² (≈Ø4.8 mm) EXHAUST: ENTLUEFTUNG: 18.1 mm ² (≈Ø4.8 mm)

General Specification: JED-334-1, Size ISO 14405 LP		Copyright WABCO®	
Doc. Code: 035	Sheet: 1	Date: 2019-10-29	Signature: Korzeniewski
Further Technical Data: 035		Checked: Sievers	2019-11-04
General Tolerances JED-261		Expert: Sievers	
Range of Nominal Dimensions (± mm)		Mass: 4.490 kg	Scale: 1:1 (2:1, 1:2)
Class 1) ≤ 50	> 50 < 180	Size: 16x	Material No.: 421 350 993 0
2) ≤ 180	> 180 < 400	Revision: 16x	Date of first issue: 2007-10-26
3) ≤ 400	> 400	Techn. Resp.: 6463	Doc. Code: 005
Class 1) 0.5	1.0	1.5	2.0
Class 2) 2.0	3.5	5.0	6.5
Tapped Holes acc. ISO 4039 / JED-152		Replacement for: -	
1) Tolerance Class Applied: Crossmarked		100mm	