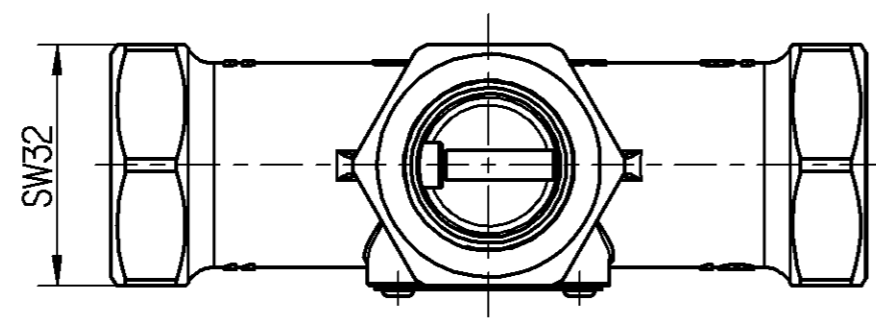
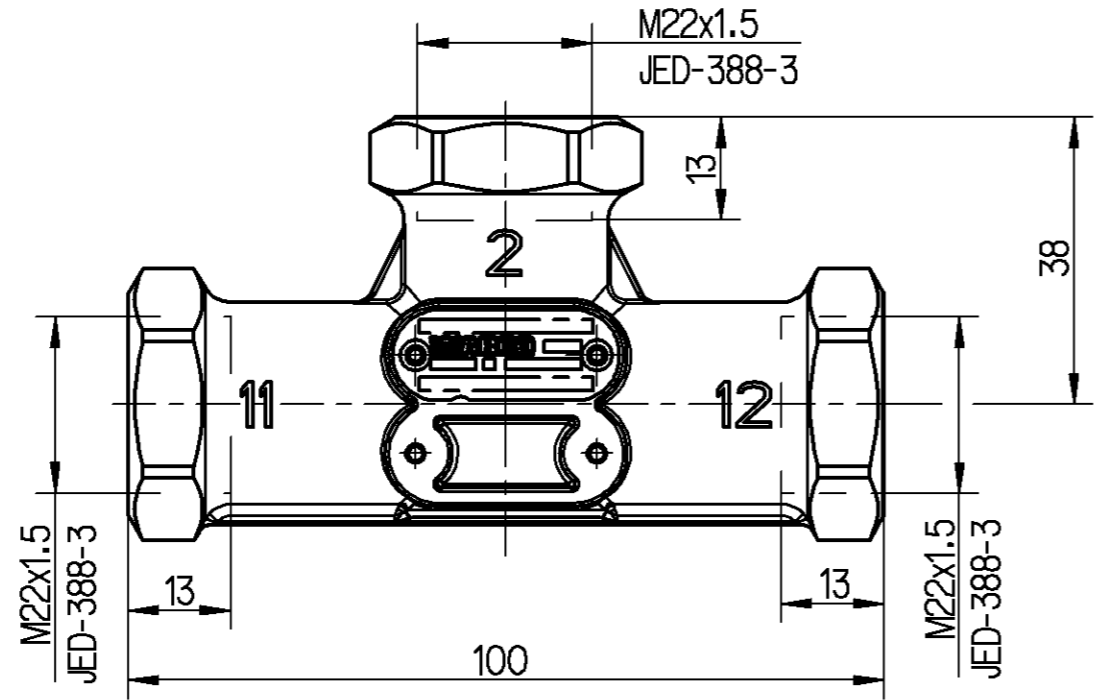


NON È PERMESSO CONSERVARE A TERZI O RIPRODURRE QUESTO DOCUMENTO, NE UTILIZZARE IL CONTENUTO O RENDERSI RESPONSABILI PER QUALSIASI DANNO, IN TUTTI I DIRITTI, DERIVANTI DA ABUSO O COMMERCE. È RISERVATO IL DIRITTO DI TUTTI I DIRITTI, BREVETTI O MODELLI. COPIING OF THIS DOCUMENT AND GIVING IT TO OTHERS AND THE USE OR COMMUNICATION OF THE CONTENTS THEREOF, WITHOUT THE WRITTEN PERMISSION OF WABCO, IS PROHIBITED. ABUSE AND RESULT IN A LIABILITY TO THE PAYMENT OF DAMAGES. ALL RIGHTS ARE RESERVED IN THE EVENT OF THE GRANT OF PATENT OR REGISTRATION OF A UTILITY MODEL OR DESIGN. THIS DOCUMENT IS THE SUBJECT OF COPYRIGHT.

TOUTE COMMUNICATION OU REPRODUCTION DE CE DOCUMENT, TOUTE EXPLOITATION DE COMMUNICATION DE SON CONTENU, EN TOUT ET EN PART, SANS LE CONSENTEMENT ÉCRIT DE WABCO, EST INTERDITE. IL EST INTERDIT DE COMMUNIQUER CE DOCUMENT À DES TIERS, NI DE COMMUNIQUER LE CONTENU DE CE DOCUMENT. L'ABUS OU LE COMMERCE DE CE DOCUMENT EST INTERDIT. IL EST RÉSERVÉ LE DROIT DE PROPRIÉTÉ INDUSTRIELLE, BREVETS, NOTAMMENT EN MATIÈRE DE BREVETS ET DE MODELES. WERTERBE UND VEREINFÄLTIGUNG DIESER UNTERLAGE, VERBREITUNG UND MITTEILUNG IHRES INHALTS NICHT OHNE SCHRIFTLICHE ZULASSUNG VON WABCO. ABUSE AND RESULT IN A LIABILITY TO THE PAYMENT OF DAMAGES. ALL RIGHTS ARE RESERVED IN THE EVENT OF THE GRANT OF PATENT OR REGISTRATION OF A UTILITY MODEL OR DESIGN. THIS DOCUMENT IS THE SUBJECT OF COPYRIGHT.



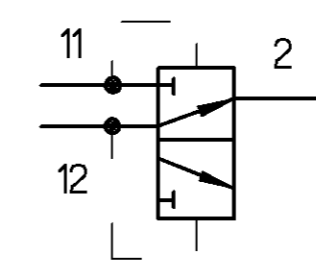
WORKING PRESSURE:
BETRIEBSDRUCK:
PRESSIO DE SERVICE:
PRESSIONE D'ESERCIZIO: MAX. $p_e = 10\text{bar}$

THERMAL RANGE OF APPLICATION:
THERMISCHER ANWENDUNGSBEREICH:
GAMME D'APPLICATION THERMIQUE:
CAMPO DI APPLICAZIONE TERMICA: $-40\text{ }^\circ\text{C} \dots +80\text{ }^\circ\text{C}$

MEDIUM:
MEDIUM:
FLUIDE:
FLUIDO: AIR
LUFT
AIR
ARIA

NOMINAL DIAMETER:
NENNWEITE:
DIAMETRE NOMINAL:
DIAMETRO NOMINALE: $\varnothing 10\text{mm}$

INSTALLATION POSITION:
EINBAULAGE:
POSITION D'INSTALLATION:
POSIZIONE DI MONTAGGIO: OPTIONAL
BELIEBIG
INDIFFERENTE
A SCELTA



GENERAL SPECIFICATION:		JED-334-0		Pro/ENGINEER DRAWING COPYRIGHT		WABCO	
FURTHER TECHNICAL DATA:				DATE		SIGNATURE	
DOC. CODE:		SHEET: TO		DRAWN		DOUBLE CUT-OFF VALVE	
				03-12-03		MARZEC	
				CHECKED		DOPPELABSPERRVENTIL	
				03-12-04		ANTAS	
				EXPERT CODE		DOUBLE VALVE D'ISOLEMENT	
				8 1 3		DOPPIA VALVOLA D'ISOLAMENTO	
				MASS		SCALE	
				0.175		1:1	
				KG		PRODUCT IDENTIFICATION NO.	
				SIZE		434 500 007 0	
				A 2		DOC. CODE	
				037		605	
				FUNCTION CODE		SHAPE CODE	
				X X		PRODUCT TYPE	
				REPLACEMENT FOR		SHEET	
						1/1	
TAPPED HOLES ACC. JED-388-3		DCN-NO.		REV.		DATE	
1) TOLERANCE CLASS APPLIED CROSSMARKED							